

Airmatic

Pneumatic Products for Automation

- ◆ Air Processing Units
- ◆ Air Cylinders
- ◆ Slim Cylinders
- ◆ Directional Control Valves
- ◆ Solenoid Valves
- ◆ Functional Fittings & Accessories

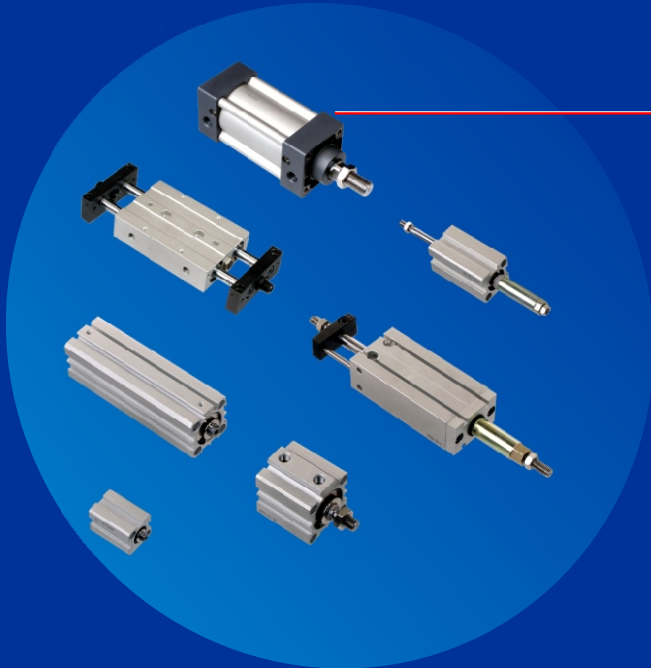
Roundline Cylinder

- ◆ Aluminium / Stainless steel barrel
Conforms to ISO standards
- ◆ Bore sizes 16, 20, 25, 32, 40 mm
- ◆ Single acting, Double acting, Double Ended with adjustment, Tandem
- ◆ Optional Mounting - Clevis, Foot etc.
- ◆ Optional accessories-Reed switches,



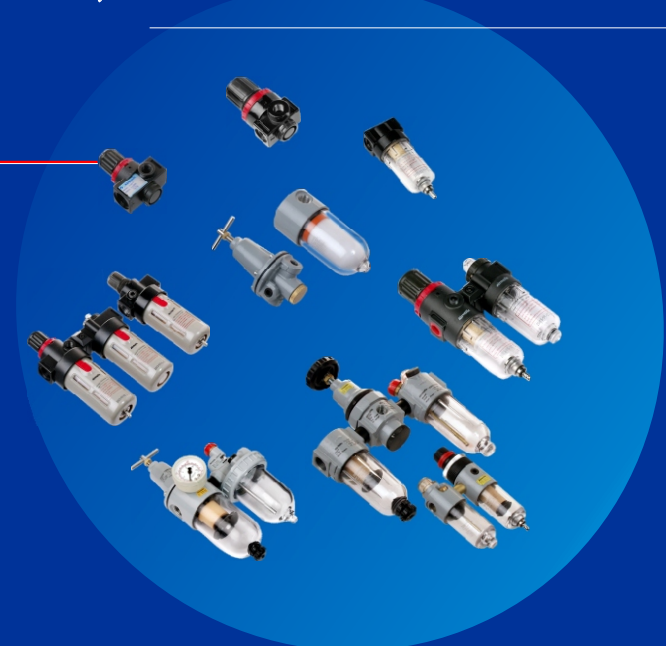
Air Cylinders

- ◆ Long life / low friction
- ◆ Bore sizes 32, 40, 50, 63, 80 & 100 mm
Conforms to ISO
- ◆ Standard strokes upto 500 mm
- ◆ Adjustable cushioning at both ends
- ◆ Standard mounting & accessories
- ◆ Compact, ISO, Multimount, Non-Rotating, Twin
Rod, Slide tables are also available

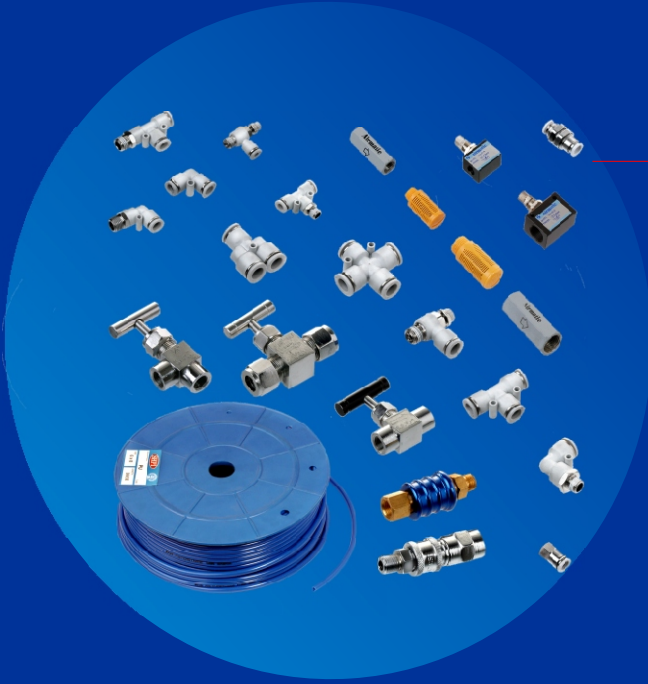


Air Processing Units

- ◆ Air Filters, Regulators, Lubricators (FRL's)
- ◆ Mini, Optima, Midi, Standard and large Series
- ◆ Sizes from G1/8 to G3
- ◆ Optima 200 & 400 series
- ◆ Accessories : Wall & Panel Mounting brackets, Pressure Guages, Auto Drains,



Function Fittings & Accessories



- ◆ Quick Fit
- ◆ PU Tubing
- ◆ Speed Control Valves
- ◆ Quick Exhaust Valves
- ◆ Non Return Valves
- ◆ Needle Valves
- ◆ Ball Valves
- ◆ Quick Release coupling
- ◆ Exhaust Silencers

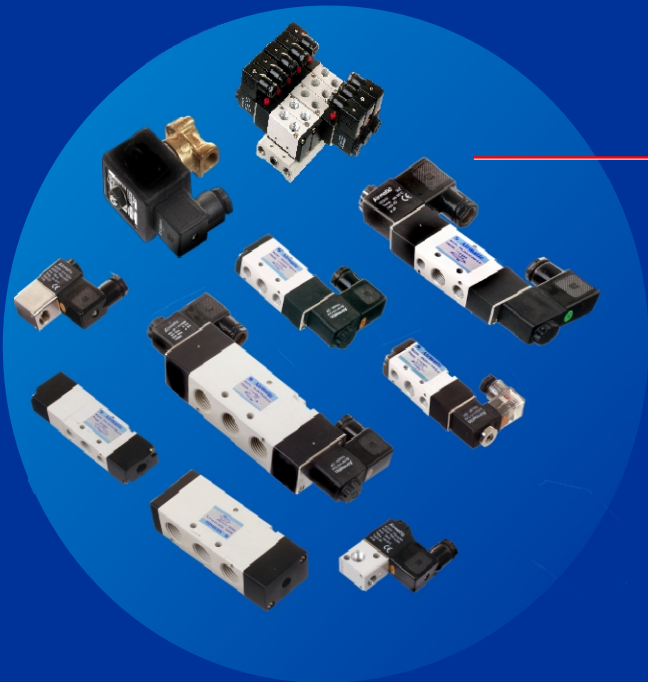
Directional Control Valve

- ◆ 2/2, 5/2 & 5/3 valves
- ◆ Suitable upto 10 Kg/cm²
- ◆ Hand Lever, Foot Lever, Hand Rotary, Button actuated
- ◆ Plunger, Lever, Cam actuated
- ◆ Single or Double Pilot actuated



Solenoid Valves

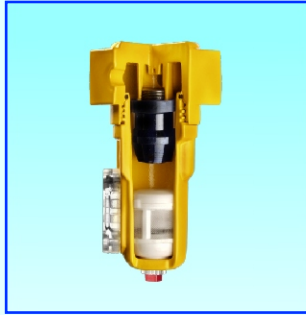
- ◆ 2/2, 3/2, 5/2 & 5/3 valves
- ◆ Direct & indirect actuated solenoid versions
- ◆ Sizes G1/8 to G1
- ◆ Pressure range 0 to 40 Kg/cm²
- ◆ Suitable for Air, Water & Oil
- ◆ Coil Voltage - 12, 24, 48, 110 & 220 AC/DC



ProAir - COMPRESSED AIR TREATMENT PRODUCTS



OIL REMOVAL FILTERS
Size : G1/4 to G3
fabricated and die cast housings



WATER SEPARATORS
Size : G1/4 to G3
fabricated and die cast housings



HIGH PRESSURE FILTER
Medium & High pressure filters for
Pet, Moulding, CNG Filtration,
Breathing air, Defense & Marine Systems

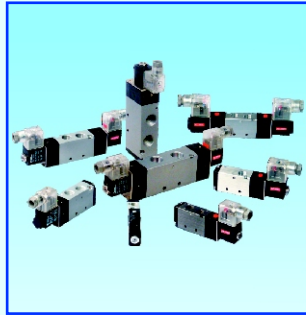


ALTERNATIVE FILTER ELEMENTS
To suit Ultrafilter Ltd, Domnick
Hunter Ltd, Zander Ltd & Walker Ltd
Filters

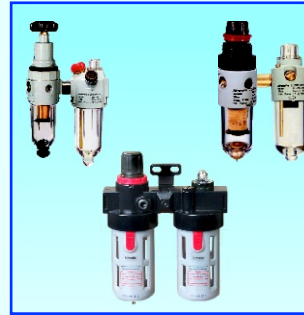
Airmatic - PNEUMATIC AUTOMATION PRODUCTS



OTHER ACCESSORIES
Air Guns, Non Return Valves, Silencers,
Speed Control Valves, Quick Exhaust
Valves, PU Pipe & Quick Fittings Etc.
Refer catalogue for Details



SOLENOID VALVES
Size : M5 to G3/4"
Coil with LED & Surge
Suppressor, High Flow



AIR PROCESSING UNITS (FRL)
Size : G1/8 to G2



PNEUMATIC CYLINDERS
Size : 6mm to 300mm
Round, Compact / ISO/
Slide/Multiposition
Size : 12mm to 100mm

PROCESS CONTROL & OTHER RELATED PRODUCTS



SPECIAL GAS FILTRATION
Fabricated, High efficiency
Low/Medium & high pressure
for Co2, H2, Helium, N2,
CNG applications.



SPECIAL REGULATORS
Low, Medium & High Pressure Precision
Pilot Regulators for air, gas,
liquid & CNG



"ProAir" Filter Housings
Industrial & Sanitary liquid
Filter Vessels



WATER FILTERS
For Industrial, Pre Ro,
Domestic applications

Shah Pneumatics has a continuous policy of product development and although the Company reserves the right to change specifications, it attempts to keep customers informed of any alterations. This publication is for general information only and customers are requested to contact our Sales Department for detailed specifications and advice on a product's suitability for specific applications. All products are sold subject to the Company's standard conditions of sale.

ProAir is a trademark of **Shah Pneumatics**.

PNEUMATIC AUTOMATION PRODUCTS

Shah Pneumatics

Regd. Office : 28-30, Navketan Industrial Estate,
Mahakali Caves Road, Andheri (East),
Mumbai - 400 093, INDIA.
Phone : +91-22-6695 1090 Fax : +91-22-26875317
E-mail : shahpneu@bom3.vsnl.net.in
Website : www.shah-pneumatics.com