

Airmatic

OPTIMA-401 REGULATORS

MODEL : R R401 (Relieving)
R 401A (Non Relieving)

TEMPERATURE AND PRESSURE RATING

SIZES	MAX. PRESSURE	MAX. TEMP
G 1/4, G 3/8, G 1/2	12 Kg/cm ²	70° C

INSTALLATION, OPERATING AND MAINTENANCE INSTRUCTIONS

INSTALLATION

Before installing, blow-out pipe line to remove scale and other foreign matter. This unit has DRYSEAL pipe threads; use pipe compound or tape sparingly to male threads only. Install regulator on pipe line so that air will flow in direction of arrow stamped on body, Install as near as possible to equipment serviced.

REDUCED PRESSURE ADJUSTMENT

To adjust reduced pressure settings turn adjustment screw tee clockwise to increase the reduced or regulated pressure & counter-clockwise to lower the pressure. With relieving type regulators, the reduced pressure follows adjustment of the screw.

To lock adjustment, simply tighten the lock-nut. With non-relieving regulators adjustment for lower reduced pressure will not be obtained until the reduced pressure system is "bleed-off" or until air flow starts.

MAINTENANCE-CLEANING

To clean it is not necessary to remove regulator from line. Refer to drawing as guide in reassembly. If the air supply is kept clean, the regulator should provide long periods of uninterrupted service. Erratic regulator operation or loss of regulation is mostly always due to dirt in the disc area. To clean, shut off and depressurize air line and disassemble the regulator. Refer to drawing as a guide to disassemble and subsequent reassembly. Clean parts with household soap water and blow out body with compressed air.

When reassembling, make sure the disc is firmly in place and insert diaphragm assy in to center hole of seat. Make sure the PTFE backup ring must be kept between diaphragm and bonnet, tighten bonnet slightly more than hand tight (to 60 inch pounds torque).

SEE OTHER SIDE FOR REPLACEMENT PARTS LIST.

AIR PROCESSING PRODUCTS

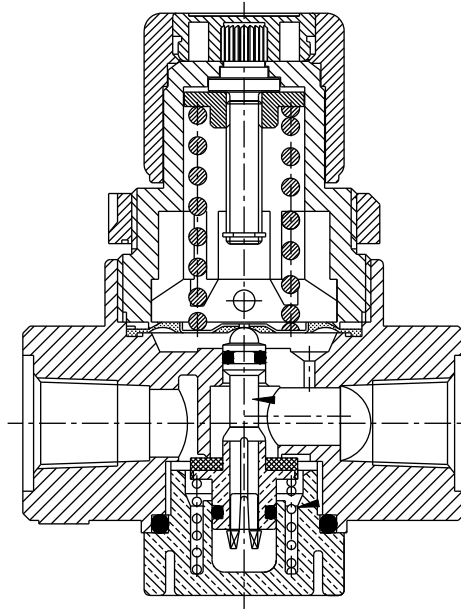
Shah Pneumatics

Regd. Office : 28-30, Navketan Industrial Estate,
Mahakali Caves Road, Andheri (East),
Mumbai - 400 093, INDIA.
Phone : +91-22-6695 1090, Fax: +91-22-26875317
E-mail : shahpneu@bom3.vsnl.net.in
Website : www.shah-pneumatics.com



MIDI REGULATORS 10V.

MODEL - R 401 / R 401A REPLACEMENT PARTS ORDER BY SIZE AND KIT NUMBER



CONSISTS OF PART NAME	KIT NAME	KIT No.
Diaphragm Assy.	* Relieving	R401-SKR
Stem Assy.	Service Kit	
Bottom Plug `O' Ring	Non-Relieving	R401-SKNR
Diaphragm Assy.	* Relieving	R201-DAR
	Diaphragm Assy. Kit	
	Non-Relieving	R201-DANR
Stem Assy.	Stem Assy. Kit	R401 -SA

* Standard