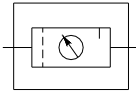


## AIR LINE COMBINATION UNITS

### MINIATURE SERIES

SERVICE :- AIR



- ★ Compact Design.
- ★ High Flow Performance.
- ★ Various Combinations.
- ★ Light Weight.

Once you have selected the filter, regulator and lubricator which meets your requirement, save assembly time and cost by ordering them in the form of a factory assembled combination unit.



### Ordering References

Sizes	Combinations of	Models	CONSISTS OF		
			Filter/FR (Comb.)	Regulator	Lubricator
G1/8	FRL	Poly. MC10-013	MF10-01	MR10-013	ML10-01
		Metal MC11-013	MF11-01	MR10-013	ML11-01
	FR+L	Poly. MBL10-013	MB10-013	-	ML10-01
		Metal MBL11-013	MB11-013	-	ML11-01
	F+L	Poly. MFL10-01	MF10-01	-	ML10-01
		Metal MFL11-01	MF11-01	-	ML11-01
G1/4	FRL	Poly. MC10-023	MF10-02	MR10-023	ML10-02
		Metal MC11-023	MF11-02	MR10-023	ML11-02
	FR+L	Poly. MBL10-023	MB10-023	-	ML10-02
		Metal MBL11-023	MB11-023	-	ML11-02
	F+L	Poly. MFL10-02	MF10-02	-	ML10-02
		Metal MFL11-02	MF11-02	-	ML11-02

### Condition of use

	Polycarbonate Bowl	Metal Bowl
Max. Supply Pressure	12 Kg/cm <sup>2</sup>	18 Kg/cm <sup>2</sup>
Max. Op. Temp.	50°C	70°C

### Accessories & Options

SUFFIX		
Filter Element	5µ Sintered Bronze	V-SB
	50µ Sintered Bronze	H-SB
Panel Mounting Ring	Plastic	PAP
	Metal	PAM
Mounting Bracket		BA
Pressure Gauge 40mm Dial G1/8 Back Connection	Range 0 to 2.1 Kg/cm <sup>2</sup>	GA-1
	0 to 4.2 Kg/cm <sup>2</sup>	GA-2
	0 to 10.6 Kg/cm <sup>2</sup>	GA-3

### Reduced Pressure Range

Available in three range reduced pressure suffix. 1 for 0-2 kg/cm<sup>2</sup>  
2 for 0-4 kg/cm<sup>2</sup>  
\* 3 for 0-9 kg/cm<sup>2</sup>  
\* Unless otherwise specified. 0-9 kg/cm<sup>2</sup> (0-125) will be supplied.

### Dimensions & Weights

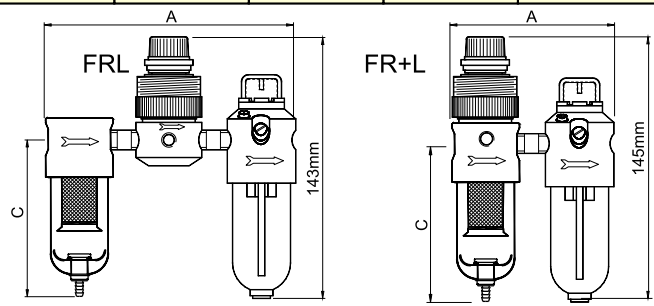
Unit	A mm	B mm	C mm	Wt. in Kgs. Poly. Bowl
FRL	153	145	87	0.425
RL	95	142	75	0.280
FL	96	120	87	0.275
FR+L	90	155	92	0.345

### Model Ordering Code Instruction

**MC - 10 - 02 - - 3 - - - - PAM - BA-GA-3-**

Type Mini FRL	Sizes 01 - G1/8 02 - G1/4	Blank-Relieving A-Non Relieving	Panel Mtg. Ring PAP -Plastic PAM-Metal	Drain Type PD-Plastic Blank-Semi Auto PT-Push Type
Combination MC- FRL MBL- FR+L MFL- F+L	Bowl 10-Polycarbonate 11-Metal	Element Type Blank-25 M Plastic V-SB -5M Sint. Bronze H-SB -50M Sint. Bronze SB -25M Sint. Bronze	Diaphragm Blank-Buna N ND -Neoprene VD -Viton	Pr. Gauge Range GA-1 - 0-2 Kg/cm <sup>2</sup> GA-2 - 0-4.2 Kg/cm <sup>2</sup> GA-3 - 0-10.6
Conn. Blank - BSP N - NPT	Outlet Pr. Range 1 - 0-2 Kg/cm <sup>2</sup> 2 - 0-4 Kg/cm <sup>2</sup> 3 - 0-9 Kg/cm <sup>2</sup>			

CONSULT FACTORY FOR OPTIONS & ACCESSORIES



## Compressed Air Accessories

### Shah Pneumatics

Regd. Office : 28-30, Navketan Industrial Estate,  
Mahakali Caves Road, Andheri (East),  
Mumbai - 400 093, INDIA.  
Phone : +91-22-6695 1090, 2687 5314 Fax: +91-22-2687 5317  
E-mail : shahpneu@bom3.vsnl.net.in  
Website : www.shah-pneumatics.com



MINI LUBRO SET CAT.